

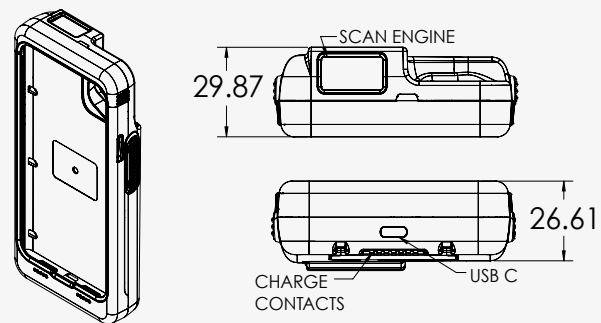
## Linea Pro Rugged iPhone LPR XR & 11

### Ruggedize Your Enterprise

The Linea Pro Rugged is a form-fitted high performance barcode scanner designed to work with iPhone XR and iPhone 11. This enterprise grade device delivers quick, reliable scans. The hot-swappable battery enables mobility around the clock. Designed to survive industrial conditions, the Linea Pro Rugged is IP65 rated and drop tested against MIL-STD-810G standards. RFID enabled to support both HF RFID and Apple VAS and Google Smart Tap or short-range UHF RFID.

### Key Features

- 1D/2D Barcode Scanning
- HF RFID & UHF RFID
- Compact Design
- IP65 Rated
- Comprehensive Software
- Hot-Swappable Battery



### Electrical

Barcode Scanner	2D Imager with white LED illumination. Red LED dot aimer.
Battery	3.7V 2400mAh
HF RFID	13.56MHz
Indicator	Electro-magnetic buzzer
Input/Output Ports	USB Type-C
Input Voltage	5V
RFID Card Reader	HF RFID, MiFARE Mini, MiFARE Classic 1K / 4K, MiFARE Ultra-Light / Ultra-Light-C, MiFARE Plus 2K / 4K, ISO / IEC 14443 Type A/B, ISO / IEC 15693, MiFARE DESFire, JIS X 6319-4 (compatible with FeliCA)
UHF RFID Reader	EPC Class 1 Gen 2

### Mechanical

Buttons	RH and LH scan buttons, access to iPhone power, volume and mute
Compatibility	iPhone XR, iPhone 11
Dimensions (LxWxD)	172mm x 85mm x 30xmm 6.69in x 3.35in x 1.02in
Port	USB-C, Accessory Connector
Weight	186g 6.56oz

### Environmental

Storage	-15°C to +50°C 5% to 90% Relative Humidity
Operating	-10°C to +40°C 5% to 90% Relative Humidity

### Certifications

Regulatory	MFi, UN38.3, FCC, CE, RoHS
Environmental	1.2 meter Drop MIL-STD-810G, IP65

Specifications subject to change without notice. Infinite Peripherals, Mobilize Your Enterprise, Linea Pro, Infinea, Infinea Tab and Infinea X are trademarks of Infinite Peripherals, Inc. All other trademarks are the property of their respective owners.